



# Running Gear & Wheel Equipment

Hubs & bearings • Axles • Springs • Suspension components

Contents	Page
Hubs, bearings and hub conversion kits for current models	42
Hubs & bearings etc, for older models	43
Axle beams, weld assemblies and complete axles, suspension units and spares	44
Springs & suspension parts, rubber suspension axle and axle mounting crossmembers	45
Tyres, compressor & tyre gauge, jack, axle stands & wheelbraces	46
Wheel assemblies, tyres, tyre changing ramp and spare wheel bolts	47
Spare wheel brackets and complete spare wheel kits including spare wheel covers	48



Stake nuts have been used on all trailer models since January 1994

# Running Gear & Wheel Equipment

## Hubs & Bearings

To Order – See pages 4 & 5 for distributor contact details or call direct on 0845 4082 505

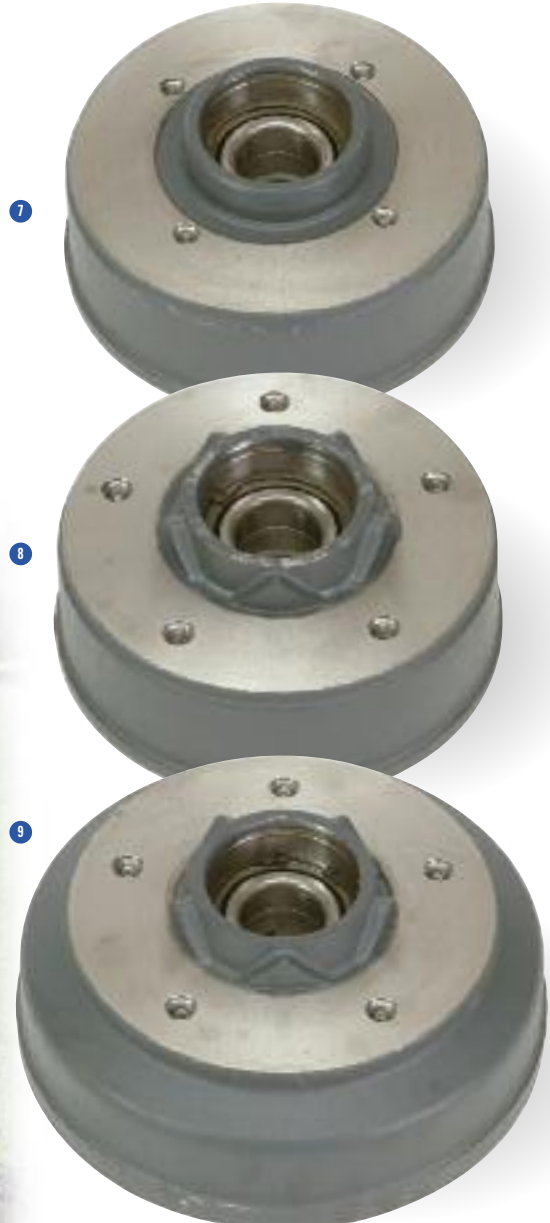
1	P1258	Hub cap Grey 76mm. For trailers with bolt on knott brakes and 76mm bearings 1996 onwards.	£2.00
2	F1013Z	Stake nut. Without flange. It is recommended that new nuts are fitted after servicing the brakes.	£3.95
3	F1015	Washer. Used under the F1013Z stake nut.	£1.45
4	F1014	Stake Nut M30. With flange.	£3.60
5	F1951	Circlip. 76mm internal (bearing retainer) circlip - for the current production type bearing.	£0.60
6	P00002	Bearing. Unitized bearing for hubs with a 76mm bore.	£29.00

### HUB KITS

These hub kits suit trailers manufactured from September 1992, complete with the current production bearing fitted. Each hub also comes supplied with the adaptor kit shown below to enable it to be fitted to older models with the round beam axle, Knott brakes and SKF bearings.



7	KS0825	Hub kit. 200 x 50 brake 4 stud. Contains hub as illustrated, also includes the adaptors and components detailed above.	£75.00
8	KS0826	Hub kit. 200 x 50 brake 5 stud. Contains hub as illustrated, also includes the adaptors and components detailed above.	£80.00
9	KS0827	Hub kit. 250 x 40 brake 5 stud. Contains hub as illustrated, also includes the adaptors and components detailed above.	£80.00





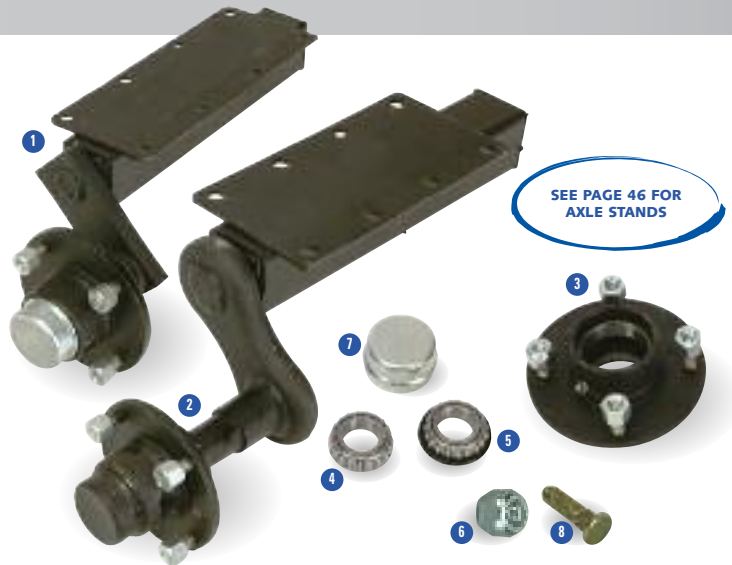
<b>1</b>	<b>KS0755L Brake drum.</b> From 20th June 1988 for 6.00x9 wheels. Complete with 2 off bearings P0001/P0002, oil seal P0004, bearing retaining washer C14679, axle end nut F1099S, grease cap C72253, 5 off wheel stud F1804, 5 off wheel nut F1813, spirol pin F1909S and split pin F1508. <b>£130.00</b>
	<b>KS0756 Brake drum.</b> From 20th September 1988 for 145R10, 155R13, 175R13 & 6.70x13 wheels Note: HB505R 80637,38,39,40,41 from batch 427; all from batch 437 (P0003 seal) Complete with 2 off bearings P0001/P0002, oil seal P0004, bearing retaining washer C14679, axle end nut F1099S, grease cap C72253, 4 off wheel stud F1801, 5 off wheel nut F1811, spirol pin F1909S and split pin F1508. <b>£130.00</b>
<b>2</b>	<b>KS0757L Brake drum.</b> From 15th February 1988. DP120G, LL106G, LL126G, LL146G (225R10 wheel)(DP120G batch 291, LL batch 286) Complete with 2 off bearings P0001/P0002, oil seal P0004, bearing retaining washer C14679, axle end nut F1099S, grease cap C72253, 5 off wheel stud F1804, 4 off wheel nut F1813, spirol pin F1909S and split pin F1508. <b>£140.00</b>
<b>3</b>	<b>P0001 Bearing cup.</b> All trailers to September 1992 (HB401 until April 1993) requires bearing P0002. <b>£7.00</b>
<b>4</b>	<b>P0002 Bearing cone.</b> All trailers to September 1992 (HB401 until April 1993) requires cone P0001. <b>£10.00</b>
	<b>P0081 Oilseal.</b> Most models (pre 1978). <b>£3.60</b>
	<b>P0003 Oilseal.</b> 43 x 75 x 10mm. <b>£5.25</b>
	<b>P0004 Oilseal.</b> 55 x 75 x 10mm. <b>£5.85</b>

	<b>F1811 Wheel nut.</b> M12 x 1.5mm pitch (1976-1992). <b>£3.25</b>
	<b>F1813 Wheel nut.</b> M16 x 1.5mm pitch (1976-1992). <b>£3.25</b>
<b>5</b>	<b>P1250 Hub cap Black 75mm.</b> For trailers with weld on knott brakes and 75mm bearings 1992-1996. <b>£2.00</b>
<b>6</b>	<b>C72253 Hub cap.</b> For trailers with Al-Ko brakes and taper roller bearings 1981-1992. <b>£2.00</b>
<b>7</b>	<b>F1098S Axle end nut.</b> 3/4" BSF six slotted axle end nut for early trailers with solid beam axles. <b>£6.00</b>
<b>8</b>	<b>F1099S Axle end nut.</b> 3/4" BSF ten slotted axle end nut for later trailers with solid beam axles. <b>£5.50</b>
<b>9</b>	<b>F1508 Split pin.</b> 1-1/2" long x 5/32" diameter. <b>£0.15</b>
<b>10</b>	<b>F1502SS Split pin.</b> 1 long x 5/32" diameter stainless steel. <b>£0.10</b>
<b>11</b>	<b>C14679 Washer.</b> Bearing retaining washer for older round section axles. <b>£5.25</b>



To Order – See pages 4 & 5 for distributor contact details or call direct on 0845 4082 505

- 1 P0591 Suspension unit.** For 500Kg GVW trailers, complete with 4" PCD hubs, as fitted to P6e (before 1997). **£98.00**
- 2 P0593 Suspension unit.** For 750Kg GVW trailers, complete with 4" PCD hubs, as fitted to P6e (before 1997). **£135.00**
- 3 P0591/HUB Hub assembly.** For P6e trailers fitted with black suspension units, complete with bearings and seal. **£30.50**
- 4 P0591/IB Inner bearing.** For P6e trailers fitted with black suspension units, complete with cone and seal. **£7.45**
- 5 P0591/OB Outer bearing.** For P6e trailers fitted with black suspension units, complete with cone and seal. **£6.00**
- 6 P0591/N Wheel nut.** 3/8" UNF Spherical seat for P6e trailers with black suspension units. **£0.45**
- 7 P0591/CAP Grease cap.** For P6e trailers fitted with black suspension units. **£1.75**
- 8 P0591/S Wheel stud.** For P6e trailers fitted with black suspension units (3/8 UNF). **£1.00**



Complete Axle Assy Number	Models This Axle Is Fitted To	Weld Assembly Number	Spring Centres	Length Over Hub Faces	Number Of Wheelbolts	Weld Assy	Complete assy
	Eurolight Unbraked	AS4007	757	1122	4	£55.00	
AS 6401	HB510R, HB511, GD6 Metric	AS0381	1770	2110	4	£130.00	£300.00
AS 6402	HB505R, HB505RL, HB506	AS0382	1642	1984	4	£130.00	£300.00
AS 6403	TA5G (8' 10' 12') GD85G, GD105G, GD125G	AS0383	1542	1924	4	£130.00	£300.00
AS 6404	LT106G, LT126G, LT146G, LT146G/B	AS0384	1450	1828	4	£130.00	£300.00
AS 6406	HB401	AS0386	1227	1610	4	£130.00	£300.00
AS 6407	LT105G, LT125G	AS0387	1146	1520	4	£130.00	£300.00
AS 6408	TT85G	AS0388	1110	1460	4	£130.00	£300.00
AS 6409	LT85G	AS0389	1045	1387	4	£130.00	£300.00
AS 6410	TA5G (10' 12'), GD105G, GD125G (5 Bolt)	AS0390	1542	1924	5	£130.00	£300.00
AS 6411	GD64G, GD84G	AS0391	1224	1610	5	£130.00	£300.00
AS 6412	LM105G, LM125G	AS0387	1146	1520	5	£130.00	£300.00
AS 6413	LM85G	AS0389	1045	1387	5	£130.00	£300.00
AS 6414	BV85G, BV105G	AS0390	1530	1924	4	£130.00	£300.00
AS 6415	P6G, P8G, GD64G, GD84G, GD84GTA, GP74GTA, BV84G	AS0391	1224	1610	4	£130.00	£300.00
AS 6416	LT1*7	AS0392	1755	2100	4	£130.00	£300.00
AS 6417	GP84GTA (Obsolete plant trailer), GX84 & GD4 Metric (4 bolt)	AS0393	1250	1610	4	£130.00	£300.00
AS 6418	LM1*6/DP/CT166 Tri Axle	AS0384	1450	1828	5	£130.00	£300.00
AS 6440	LM1*7/CT167 Tri Axle (2.3M)	AS0392	1755	2100	5	£130.00	£300.00
AS 6444	TA510G3-14 Tri Axle	AS0398	1770	2150	5	£130.00	£300.00
AS 6420	TA510 (10', 12'), GD106G, GD126G	AS0400	1770	2150	5	£130.00	£300.00
AS 6421	GD106, GD126, GP106GM, BV106G, BV126G (UK), GX106, GX106N, GX126	AS0401	1770	2110	5	£130.00	£300.00
AS 6422	DP120, LM106G, LM126G, LM146G & GB, LM166G & GB, CT166G	AS0402	1450	1828	5	£130.00	£300.00
AS 6423	LM 7' 6" (OLD MODELS)	AS0403	1755	2150	5	£130.00	£300.00
AS 6424	LM105GHD, LM125GHD, TT105G	AS0404	1146	1520	5	£130.00	£300.00
AS 6425	LM85GHD	AS0405	1045	1387	5	£130.00	£300.00
AS 6426	LM/LT/CT167G 2.3M, CT177G	AS0406	1755	2100	5	£130.00	£300.00
AS 6427	TA5GHD	AS0392	1542	1924	5	£130.00	£300.00
AS 6431	GX105HD, GX125HD, GD5 Metric (16 in) wheels	AS0408	1575	1935	5	£130.00	£300.00
AS 6439	CT115	AS0379	1610	1975	5	£130.00	£300.00
AS 6445	GD5 Metric GX85, GX105	AS0395	1575	1935	4	£130.00	£300.00
AS 6447	CT136, CT136SA	AS0397	1770	2135	5	£130.00	£300.00
AS 6451	Eurolight 1.2m	AS0411	757	1147	4	£130.00	£300.00
AS 6452	Eurolight 1.5m	AS0412	1032	1407	4	£130.00	£300.00
AS 6455	GD4 Metric (6.50R16C, 175/75R16) Wheels	AS0393	1250	1610	5	£130.00	£300.00
AS 6456	GD5 Single Axle Metric (175/75R16) Wheels	AS0395	1575	1935	5	£130.00	£300.00
AS 6458	GH64, GH94	AS0423	1275	1610	4	£130.00	£300.00
AS 6459	GH94BT, GH94 + 3	AS0340	1240	1590	4	£130.00	£300.00
AS 6460	HB403	AS0413	1275	1610	4	£130.00	£300.00
AS 6461	GH1054BT	AS0341	1556	1905	5	£130.00	£300.00

These are distributor delivery only due to weight and size.

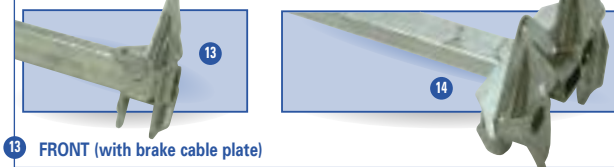
### NEW TYPE



- 1 P12081 **Spring eye bush.** Used in parabolic springs Type C90003 & C90004. £6.95
- 2 P1208 **Bush.** Used in parabolic springs Type C90001 & C90002. £6.50
- 3 C20340 **Spacer tube.** For spring eye bush in Parabolic springs C90001 and C90002 (will not fit C90003 or C90004). £5.75
- 4 C90003 **Parabolic spring.** Mono leaf parabolic road spring (current production type)\* £28.00
- 5 C90004 **Parabolic spring.** Twin leaf parabolic road spring (current production type)\* £42.00
- 6 F0417 **Centre bolt.** M8 x 40 Spring centre bolt. Bolts the two leaf spring together. £4.00
- 7 C31270 **Clamp plate.** Used to secure U bolts to axle and springs (2 per axle). £6.00
- 8 C00141 **U Bolt.** Holds the axle and roadsprings together - 4 per axle 120mm long (single leaf springs). £2.50
- 9 C00148 **U Bolt.** Holds the axle and roadsprings together - 4 per axle 130mm long (Two leaf springs). £2.65
- 10 C70340 **Spring retainer bush.** 50mm Used at the flat end of the mono leaf spring to prevent spring movement (where there is no second spring eye present). £3.20
- 11 C70341 **Spring retainer bush.** 42mm Used at the flat end of the twin leaf spring to prevent spring movement (where there is no second spring eye present). £3.20
- 12 C80315 **Bump stop.** Used on all trailers with Parabolic springs from January 1994. £4.10
- F0374ZPK **Bolt M12 x 80 Hex High Tensile.** Used to secure the leaf spring through the eye of the bush. Pack Qty 10. £8.60
- F0378ZPK **Bolt M12 x 100 Hex High Tensile.** Used to secure the leaf spring through the eye of the bush. Pack Qty 10. £10.70
- F1059ZPK **Nut M12 Nyloc.** Used to secure C00141 & C00148 U bolts. Pack Qty 10 £2.50

\* It is recommended that these springs are changed in axle sets only.

### SUSPENSION CROSSMEMBER ASSEMBLIES



- 13 **FRONT (with brake cable plate)**

AS0940A	LM85	£75.00
AS0935A	LM1*5	£75.00
AS0930A	LM1*6	£75.00
AS0945A	LM1*7	£75.00
AS0936A	TT105	£75.00
- 14 **CENTRE (with twin mountings)**

AS0940B	LM85	£100.00
AS0935B	LM1*5	£100.00
AS0930B	LM1*6	£100.00
AS0945B	LM1*7	£100.00
AS0936B	TT105	£100.00
- REAR (similar to front in appearance but without the brake cable support)**

AS0940C	LM85	£75.00
AS0935C	LM1*5	£75.00
AS0930C	LM1*6	£75.00
AS0945C	LM1*7	£75.00
AS0936C	TT105	£75.00

### OLD TYPE



- 15 P0019 **4 leaf spring.** This type of roadspring was used on various models until January 1994. £32.80
- 16 P0020 **5 leaf spring.** This type of roadspring was used on various models until January 1994. £39.00
- 17 P0022 **7 leaf spring.** This type of roadspring was used on various models until January 1994. £50.00
- 18 C10011 **Shackle bracket.** Weld on component for trailers with 4,5 or 7 leaf springs. £2.55
- 19 C00145 **U Bolt.** Holds the axle and roadsprings together - 4 per axle (7 leaf springs Post March 1990). £4.50
- 20 C00146 **U Bolt.** Holds the axle and roadsprings together - 4 per axle (5 leaf springs Post March 1990). £4.15
- 21 C00147 **U Bolt.** Holds the axle and roadsprings together - 4 per axle (4 leaf springs Post March 1990). £3.00
- 22 F0418 **Centre bolt.** 5/16 BSF x 2" Spring centre bolt. £2.75
- 23 F0419 **Centre bolt.** 5/16 BSF x 2-1/2" Spring centre bolt. £2.00
- F0464ZPK **Bolt 5/8 unc x 3 3/4 Hex Head.** Used to secure the 4,5 & 7 leaf spring. Pack Qty 8. £15.00
- F1081ZPK **Nut 5/8 unc.** Nylon Pack Qty 10. £4.85

### BV64e P5, P6e & P7e



- P05915 **Suspension axle.** 500Kg GVW Rubber suspension axle complete with hubs (100mm PCD) as fitted to P5 models. £150.00
- 24 P05920 **Suspension axle.** 500Kg GVW Rubber suspension axle complete with hubs (100mm PCD) as fitted to P6e & BV64e with 10" tyres. £160.00
- 25 P05930 **Suspension axle.** 750Kg GVW Rubber suspension axle complete with hubs (100mm PCD) as fitted to P6e & P7e with flotation wheels. £175.00
- P05940 **Suspension axle.** 500kg GVW Rubber suspension axle complete with hubs (100mm PCD) as fitted to P6E & P7E with 13" wheels. £155.00
- P05931 **Hub overhaul kit.** For the full suspension axle fitted to P6e models (1997 onwards) overhauls one hub. Complete with bearing, seal, clip, hub cap and axle end nut. £48.00
- 26 P05931/HUB **Hub.** For the full suspension axle fitted to P6e models (1997 onwards), P5, P7E & Unbraked Eurolight. £17.50
- 27 P05931/BE **Bearing.** For the full suspension axle fitted to P6e models (1997 onwards), P5, P7E & Unbraked Eurolight. £31.00
- 28 P05931/C **Circlip.** For the full suspension axle fitted to P6e models (1997 onwards). £1.35
- 29 P05931/S **Seal.** For the full suspension axle fitted to P6e models. 56mm OD x 44mm ID x 5mm. £1.30
- 30 P05931/S2 **Seal.** For the full suspension axle fitted to P6e models. 64mm OD x 44mm ID x 5mm. £1.30
- 31 P05931/AN **Axle end nut.** For the full suspension axle fitted to P6e models (1997 onwards). £2.05
- 32 P05931/HC **Hub cap.** For the full suspension axle fitted to P6e models. Fits 52mm hole. £2.10
- 33 P05931/HC2 **Hub cap.** For the full suspension axle fitted to P6e models. Fits 64mm hole. P5, P7E & Unbraked Eurolight. £2.10

To Order - See pages 4 & 5 for distributor contact details or call direct on 0845 4082 505

To Order – See pages 4 & 5 for distributor contact details or call direct on 0845 4082 505

		Load/Speed Indices	
1	P0815T Tyre. 145R10C 8pr Avon.	84/82N	£45.00
	P0879T Tyre. 175/75R16.	104N	£75.00
	P0817T Tyre. 155R13.	78S	£30.00
2	P0888T Tyre. 650/16 10pr.	108/107P or N	£94.00
3	P0841T Tyre. 165R13C 8pr.	96N (FRT)	£39.00
4	P0878T Tyre. 155/70R12C 'Max Miller'.	104/101N	£60.00
5	P0875T Tyre. 185/60R12 GT.	104/101N	£65.00
	P0873 Tyre. 195/50R13 'Max-Miler'.	104/101N	£68.00
	P0876T Tyre. 195/55 R10 TL 10PR.	98N	£80.00
	P0889T Tyre. 195/60 R12.	104N	£69.00
	P0849SV <b>Steel Bodied Valve.</b> Used for 195/50R13, 185/60R12, 195/60R12, 155/60R12 & 195/55R10TL		£2.55
6	P08840 <b>Plastic wheel trim.</b> For 13" wheels, can be fitted to the Horse Box range, sold individually		£5.00
7	P1256 <b>Wheel brace.</b> 19mm A/F tubular wheelbrace fits all current Ifor Williams wheel bolts as well as Horsebox/boxvan propstands (propstands: when used with extension).		£5.05
8	P1257 <b>Extension piece.</b> For our standard wheel brace allowing it to be used for propstands on horsebox and boxvan models.		£13.00
9	B0021 <b>Tyre pressure gauge.</b> 0-100 psi dial type gauge with air release button, supplied with flexi hose and swivel valve connection.		£13.50
10	B0019 <b>Wheel nut wrench.</b> 4 headed wrench sizes 17, 19, 21 and 22.		£6.45
11	B0020 <b>Compressor.</b> 250psi (max) 12v DC powered, supplied with car lighter plug on 3m cable, car tyre vave and three valve adaptors.		£20.00
12	B0015 <b>Axle stands.</b> Ratchet action clamp max safe load 4000Kg, supplied as a pair.		£21.00
13	B0014 <b>Scissor jack.</b> Lift range 95 - 300mm maximum load 1500Kg, with loose cranking handle.		£10.00
14	B0119 <b>Safety Kit.</b> Gloves, safety goggles, pair of dust masks, ear defenders and hooded overall. (Contents may vary from illustration)		£9.20



## DRAPER®



# Running Gear & Wheel Equipment

## Wheels & Wheel Assemblies

Ifor Williams  
Parts®

Page  
47



Please see  
page 73 for security  
products

1	P0815	Wheel assembly. 145R10 8PR VAN.	84/82N	£52.50
2	P0841	Wheel assembly. 165R13C 8PR.	96N (FRT)	£58.00
3	P0845	Wheel assembly. 145R10 /HG58 68S. Used for P6E with suspension units fitted.		£35.00
4	P0835	Wheel assembly. 145/80B10 Used on the P5, P6E, BV64E & the Unbraked Eurolight range. 74N.		£40.00
	P0851	Wheel assembly. 185/70R13.	106/104N	£90.00
	P0852	Wheel assembly. 155R13.	78S/T	£45.00
	P0853	Wheel assembly. 175R13.	86S/T	£51.00
5	P0867	Wheel assembly. Flotation tyre 100mm PCD 77M as used on P7e & P6e with one piece axle fitted.		£69.00
6	P0868	Wheel assembly. Flotation tyre mounted on 100mm / 4 inch PCD Wheel centre for P6E with suspension units fitted.		£69.00
7	P0872	Wheel assembly. 195/50R13C 8PR.	104/101N	£84.00
8	P0878	Wheel assembly. 155/70R12		
		155/70R12C MAX-MILER.	104/101N	£75.00
	P0879	Wheel assembly. 175/75R16C Max-Miler.		£92.00
9	P0875	Wheel assembly. 185/60R12 (GT).	104/101N	£76.00
10	P0876	Wheel assembly. 195/55R10C 98N. Used on the GH range of trailers.		£95.00
11	P0877	Wheel assembly. 155/70R12C 100J 5.5 x 12 as used on the CT115, CT136 & CT177.	104N	£76.00
12	P0888	Wheel assembly. 6.50R16 10PR LT.		£117.00
13	P0889	Wheel assembly. 195/60R12C 104N.		£88.00
	P0833	Wheel assembly. 145/70/R13 - 84N. Fitted to the LT range. 84N		£50.00
	P0834	Wheel assembly. 145.70/R13 Camac, Fitted to the P6E & P7E. 78N.		£42.50
14	P0804	Wheel centre. 3.5 x 10 HG217 H/Duty. To suit P0815 145R10 8PR VAN		£18.00
15	P0805	Wheel centre. 4-1/2 J-13 HG601, Styled. To suit P0841 165R13 & P0833 145/70/R13 - 84N.		£24.40
16	P0808	Wheel centre. 500F x 16in To suit P0879 175/75R16 & P0888 6.50R16		£38.00

17	P0810	Wheel centre. 3.50 x 10 Vlukon for P6E with suspension units fitted.		£12.00
18	P0812	Wheel centre. 6.00 x 10 Vlukon for flotation tyres, used for P6E with suspension units fitted.		£26.00
19	P0820	Wheel centre. 6J-13 H2 5ST. To suit P0872 195/50R13C.		£27.50
	P0878C	Wheel centre. To suit 155/70R12C MAX-MILER.		£25.00
20	P0865	Wheel centre. 6.00 x 10 100mm PCD for P7E & P6E with flotation tyres and a one piece axle.		£25.00
21	P0875C	Wheel centre. 5.50 x 12" 5/6.5" Silver To fit 185/60R12, 195/60R12 and P0877 Car Transporter wheel assemblies.		£24.00
	P0876C	Wheel centre. 6.00 x 10" 4/5.5" Silver. To suit 195/55R10C.		£30.00
22	P0864	Wheel centre. 3.5 x 10 100mm PCD For P6E with one piece axle fitted.		£15.50
23	F1830PK	Wheel bolt. M12 x 1.5mm pitch 30mm long, 19mm A/F head.		Pack 4 £4.00
24	F1835PK	Wheel bolt. M14 x 1.5mm pitch 27mm long, 19mm A/F head.		Pack 5 £5.25
25	P0841AL	Alloy wheel. With 165R13 tyre fitted, suitable for the HB401, HB403, HB505, HB506, HB510 & HB511. Priced individually.		£130.00
26	KX9802	Locking wheel bolt kit. M12 x 1.5 pitch with uniquely coded adapter and spider wheel wrench.		Pack 4 £35.00
	B0054	Trailer-Aid Ramp - Black. Simplifies wheel changing on twin axle trailers.		£30.50
27	B0055	Trailer-Aid Ramp - Yellow. Simplifies wheel changing on twin axle trailers.		£30.50
28	B0013	Wheel chocks. Pair of basic black plastic wheel chocks. Holder not supplied.		£9.80
29	KX0240	Wheel chocks. Pair of lightweight wheel chocks with snap fit holder for fixing to trailer.		£20.00

To Order - See pages 4 & 5 for distributor contact details or call direct on 0845 4082 505

To Order – See pages 4 & 5 for distributor contact details or call direct on 0845 4082 505



### SPARE WHEEL BRACKETS

1	<b>AS0013</b> General purpose spare wheel bracket. Used on older livestock and Box van trailers. £15.50
	<b>AS5026</b> Spare wheel bracket. Used on the TT85G. £20.00
2	<b>AS5100</b> Spare wheel bracket. Used on the older GD range and the current TT105G & TT126G. £15.00
	<b>AS5106</b> Spare wheel bracket. As fitted to front of P6e & P7e models with flotation tyres. £20.00
	<b>AS5107</b> Spare wheel bracket. As fitted to front of P5, P6 & P7e models with 10" or 13" roadwheels. £20.00
3	<b>AS5539</b> Spare wheel bracket. Offset spare wheel bracket for LT/LM models which have a winch fitted over the standard spare wheel position. £50.00
	<b>C00371</b> Spare wheel bracket. Spare wheel support bracket for the GX trailer range. £9.00
4	<b>C10770</b> Spare wheel bracket. Compatible with 13" & 16" wheels. Used on the current Boxvan, GD range, TA5G, TA510G, HB510XL & HB610. £20.00
	<b>C12223</b> Spare wheel bracket. Drawbar mounted, used on the current DP range. £20.00
5	<b>KX4949</b> Spare wheel bracket. Chassis mounted, used on the current DP range. £75.00
6	<b>KX9978</b> Spare wheel bracket. Used on the HB401, HB505 & HB510. £25.00

### SPARE WHEEL BRACKET FITTINGS

	<b>C04237</b> Lower support bracket. Used on the current TA5G, TA510G, HB510XL & HB610. £4.00
	<b>C09803</b> Studding. M16 x 165mm. £2.50
	<b>C09804</b> Studding. M16 x 115mm. £2.50
	<b>C11272</b> Spare wheel clamp. Used to secure spare wheel bracket to trailer side channels (also required: M12 setscrew). £2.00
7	<b>C15841</b> Spare Wheel clamp. Used with studding to secure spare wheel. £3.80
	<b>F1067ZPK</b> Nut M16 Hex. Compatible with studding. Pack Qty 10. £2.30
8	<b>KX0795</b> Lockable spare wheel carrier. Used on the HB403, HB506 & HB511. Allows a padlock to be fitted (not included). £10.00
9	<b>P0885-SVR</b> Spare wheel cover. Silver rigid cover printed with the Ifor Williams logo. Suitable for the complete Horsebox range. £25.50

### SPARE WHEEL KITS

#### Wheel assembly & bracket included

<b>KX0243</b>	Spare wheel kit. CT136 & CT115. £90.00
<b>KX35312</b>	Spare wheel kit. GH94 (195/55R10TL). £95.00
<b>KX35318</b>	Spare wheel kit. GH94BT (165R13). £65.00
<b>KX35319</b>	Spare wheel kit. GH94+3 (195/55R10TL). £95.00
<b>KX35320</b>	Spare wheel kit. GH1054BT (185/70R13). £115.00

